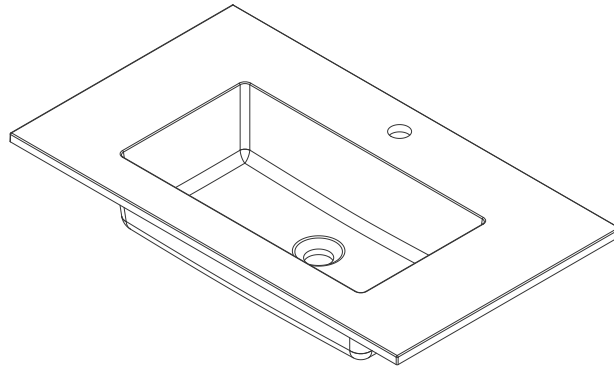


# 31.5" SWB SERIES BASIN

**JAMES MARTIN**  
VANITIES

SWB-S31.5-CHB

SWB-S31.5-GW



## Features and Materials

Countertop Materials: Composite Stone  
Number of Basins: One, Integrated Sinktop  
Basin Overflow: NO  
Certifications: ICC-ES PMG-1568

## Dimension

Length: 31-1/2"  
Width: 18-1/8"  
Overall Height: 6"  
Profile Height: 5/8"  
Basin Depth: 5-1/8"  
Basin Length: 19-5/8"  
Basin Width: 10-1/4"  
Drain Hole Size: 1-3/4"

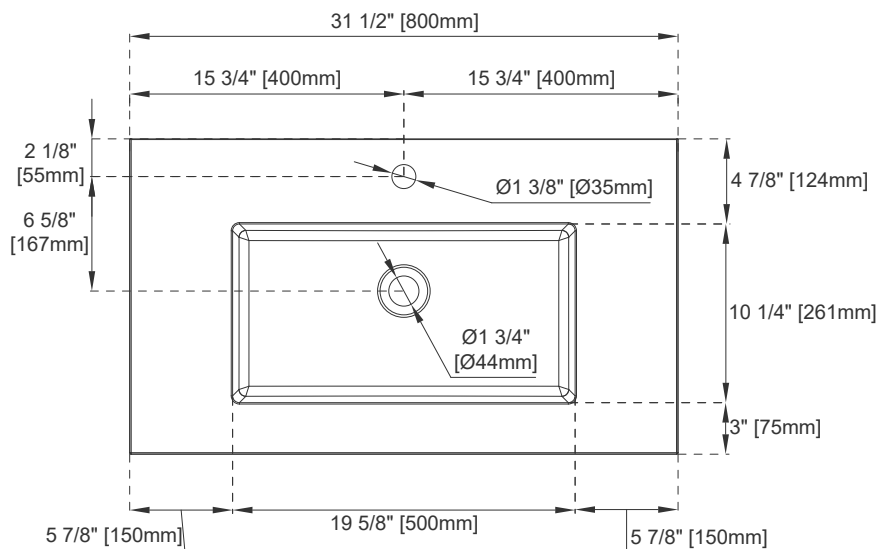
Visit website for warranty and installation information  
[www.jamesmartinvanities.com](http://www.jamesmartinvanities.com)

# 31.5" SWB SERIES BASIN

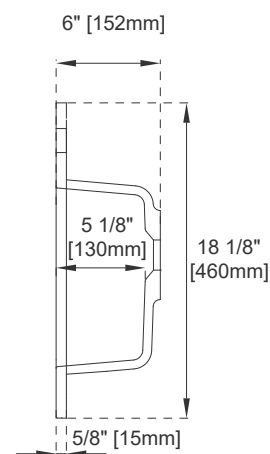
# JAMES MARTIN VANITIES

SWB-S31.5-CHB

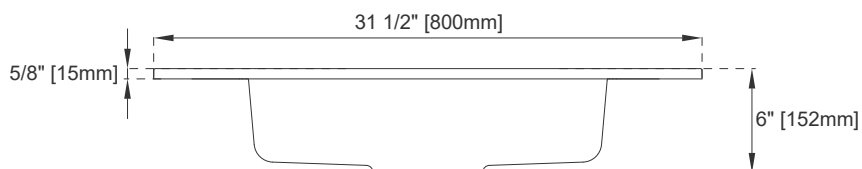
SWB-S31.5-GW



Top View



Side View



Front View

All dimensions are nominal

Visit website for warranty and installation information  
[www.jamesmartinvanities.com](http://www.jamesmartinvanities.com)